

Name Games

Start with the most meaning charged print - names!

- **Puzzle.** Write, cut apart, reassemble, paste, copy.
- **Autograph** booklet.
- **Rainbow** name writing.
- **Sign in** and sign class work.
- **Self-portrait.** Paste on squares for each syllable.
- **Buddy names.** Have buddies write their names on one paper. Circle common letters.
- **Venn Diagram** names for same and different letters.
- **Initial Dismissal.** Hold up initial card. Kids silently line up as they recognize their initials.
- **Name Sort & Graph.** Have kids write their names on cards. Sort for number of letters, syllables, beginning/end letters.
- **Guess it.** I'm thinking of a name. It starts with . . . It has 5 letters. It has 2 claps (syllables).
- **Art names.** Paint, chalk, markers, gel pens, water, string and glue. Sidewalk, newspaper, towel, colored paper.
- **Clipboard collection.** Seek out names matching target letters.

Name that Tune

Display printed names as names are sung.

(Did you ever see a lassie?)

Here we are together,
Together, together.
Here we are together
All sitting on the rug.
There's Nick and Talisha and . . .

Good Morning to You

Good morning to you
Jen is in her place
With a smile on her face . . .

Brown Bear Innovation

Zoe, Zoe who do you see?
I see Garin smiling at me
Garin, Garin who do you see?
I see Cody smiling at me.

Who Took the Cookie?

Who took the cookie from the
cookie jar? Kevin took the cookie
from the cookie jar. Who me?
Yes you! Couldn't be! Then who?

Yes I am (London Bridge)

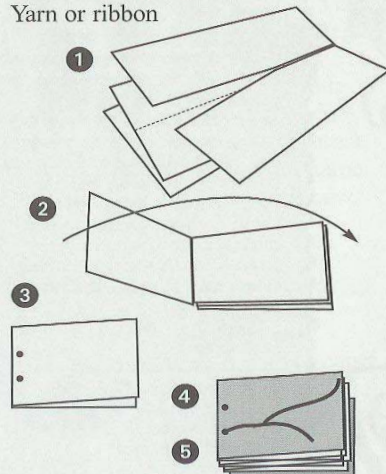
I am Nylea.
Yes I am. Yes I am. Yes I am.
I am Nylea. Yes I am.
I am Nylea.

AUTOGRAPH, PLEASE?

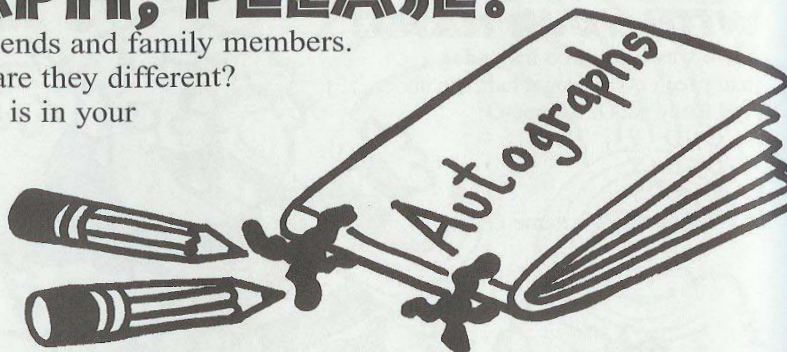
Collect the printed names of friends and family members. Do they look like yours? How are they different? The best place to collect names is in your very own autograph book.

Here's what you need

- 2 sheets of white paper
- Child safety scissors
- Hole punch
- Sheet of construction paper
- Yarn or ribbon



52 WOW! I'M READING!



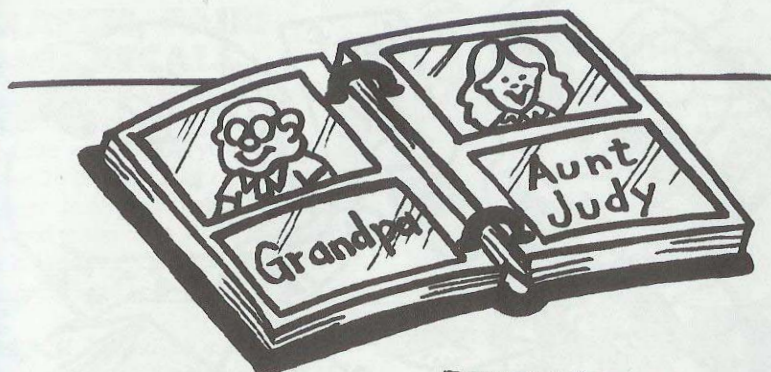
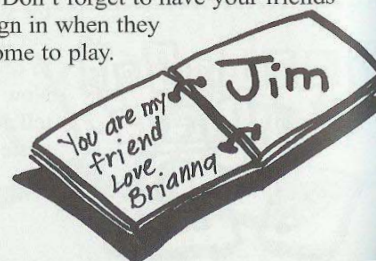
Here's what you do

Make it!

1. Cut the white paper in half the long way.
2. Fold each piece in half and stack.
3. A grown-up can help you punch two holes near the fold of each sheet.
4. Cut a piece of construction paper in half the long way for the cover. Fold it in half. Place the paper sheets inside. Punch holes in the same spots on the construction paper.
5. Thread yarn or ribbon through the holes. Fold the binding as shown.

Use it!

- ◆ Collect signatures, messages, and art meant especially for you from friends and family members.
- ◆ To gather lots of signatures, bring your autograph book along to parties and get-togethers.
- ◆ Don't forget to have your friends sign in when they come to play.



MORE FUN FOR YOU!

FAMILY PHOTO FUN.

Use a photo album with two slots per page. In the top slot, put a photo of a favorite person. Ask a grown-up to print the person's name on an index card and put that in the slot below. Fill the album for some fun reading!

NAME SORTS. Collect names on strips of paper. Try these ways of sorting the stack:

- ◆ by the beginning or ending letters

- ◆ by the number of letters in each name
- ◆ by the number of syllables in each name (see pages 36-37)

SET THE TABLE.

Plan this special dinner!

Invitations. Have a grown-up help you write "Come eat at 6:00" on the inside of folded sheets of paper.

A child's interest in her own name extends to those so important in her life: family, friends, and pets. Call the child's attention to the capital letter that starts each name, rhyming names, and any similarities and differences among the names in her collection. Remind the child that letters form words. Words are print that hold meaning — important meaning, such as a name.

Is she eager to learn more names? Add those of kids in school, favorite sports figures, and familiar characters from storybooks and TV shows.

Children will understand that printed materials provide information.



Teaching Time

You and the cook can sign your names below. Write the name of each family member on the front. Decorate with drawings of foods. **Place cards.** Fold index cards in half. Write the name of a family member on each one. Decorate and set one at each person's place.